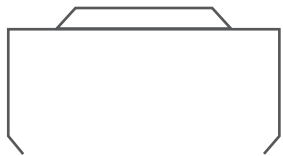


Parts necessary to mount a lighting fixture based on the SILER profile



Mounting bracket (A)



Profile (B)



LED strip
in a silicone
sleeve (C)



Cover (D)



End cap (E)

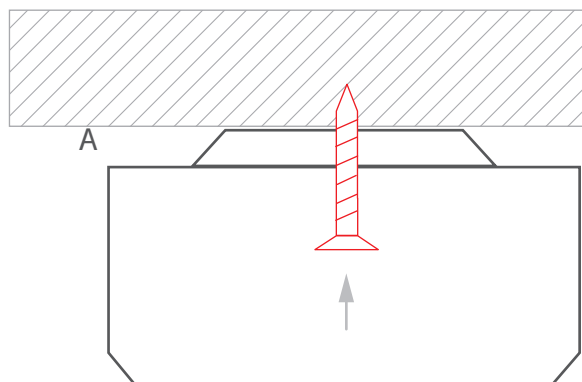
Elements necessary for mounting:

- drill
- drill driver / screwdriver

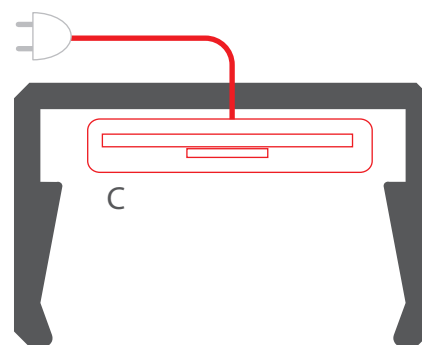
NOTE! All LED strips must be connected to a 12 V or 24 V power supply.

IMPORTANT: The manual presents the simplest mounting procedure.
More mounting procedures and related accessories can be found at www.klusdesign.eu

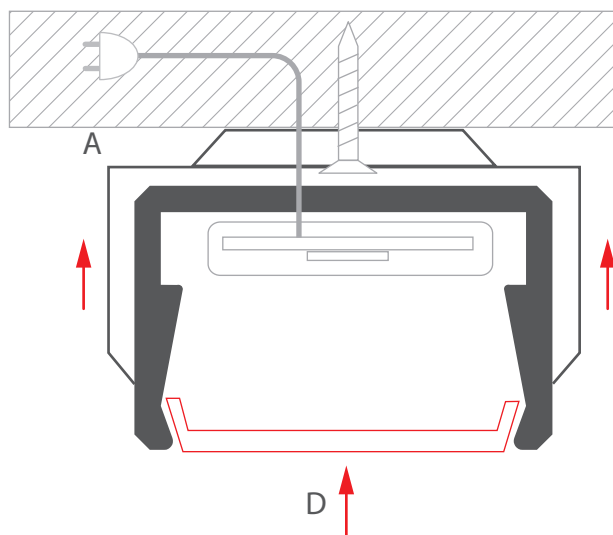
1. Attach the mounting bracket (A) to the surface.



2. Using silicone, glue the LED strip (C) in the silicone sleeve, then connect the power cord.



3. Put on the cover (D) and place the profile in the mounting bracket (A).



4. Put on the end cap (E)

